

READ AND SAVE THESE INSTRUCTIONS

## HUMIDIFIERS

# OWNER'S MANUAL

**For Models \*HUMD200A, 300A, 500A**

**Includes Safety & Operating Instructions  
and Warranty Information**

**\* May be "A" or "T"**

10006174  
B2203330A  
5.04

Pub No. 22-5036-01

# TABLE OF CONTENTS

Introduction .....	1
Principle of Operation .....	2
Operating Instructions	
• Automatic Humidifier Control .....	3
• Manual Humidifier Control .....	5
Effect of Water Characteristics .....	6
Annual Maintenance .....	7
Annual Summer Shutdown .....	7
Periodic Preventive Maintenance .....	8
<b>MAINTENANCE INSTRUCTIONS</b>	
Models *HUMD200A, *HUMD300A .....	9
Models *HUMD500A .....	10
Limited Warranty .....	11
Replacement Record .....	12

**⚠ WARNING** 120 volts may cause injury from electrical shock.  
Disconnect power and shut off water supply before servicing.

**⚠ CAUTION** Sudden operation may cause personal injury or property damage. Turn humidistat or Humidifier Control to "OFF" or lowest setting before servicing

# INTRODUCTION

Thank you for your recent purchase of our humidifier. The addition of this product to your heating and cooling system will increase your level of comfort by adding just the right amount of moisture to your indoor environment. During the heating season, your humidifier will not only make you feel more comfortable, but it will help protect your home and your furnishings, as well.

Your new humidifier is easy to use and easy to live with. Simple maintenance is required on a periodic basis to keep it in peak operating condition. This homeowner's manual will outline these steps for you, as well as other basic operating procedures so you can enjoy the full benefits of your new humidifier.

## **How Your Humidifier Operates:**

During the winter, your comfort relies on two things: the perfect temperature and the perfect amount of moisture. Your new humidifier will provide your home with the recommended indoor relative humidity to ensure your comfort all winter long.

**Replacement Humidifier Pads are available from your installing dealer.**

## I. YOUR HUMIDIFIER

Your new humidifier has been installed to operate in conjunction with the blower motor in your furnace. When the Humidifier Control calls for humidity and the blower motor is operating, water flows to the distribution tray located at the top of the unit. The water is evenly distributed across the width of the tray and over the Humidifier Pad. Dry, hot air is moved through this moisture laden Humidifier Pad where it is evaporated into a vapor. This now humidified air is circulated throughout your home. Humidified air helps to reduce static electricity, reduces wood furniture from drying out, helps prevent nasal passages from becoming too dry and makes your home more comfortable.

### **Important Notes About Your Humidifier:**

When the humidifier is operating, there will be a small, steady stream of water to drain. Do not use the saddle valve to regulate the water flow. The saddle valve is designed to be either completely open or completely closed.

Although your humidifier incorporates a self-flushing action, the Humidifier Pad will develop mineral build-up on it over time. **To assure high capacity, trouble-free performance it should be replaced annually.**

The granular coating on the bottom of the distribution tray is designed to provide an even flow of water over the Humidifier Pad. **Do not clean the mineral scale off the bottom of the distribution tray at the end of the humidification season.** The scale actually provides an excellent track for the water to follow.

## II. OPERATING INSTRUCTIONS

### Models HUMD300A and HUMD500A with Automatic Humidifier

**Control:** (Manual Humidifier Control-see pg 4)

Your Automatic Humidifier Control is installed in the cold air return. During the first heating season, your Automatic Humidifier Control needs to be set initially to match your home's condition. Please follow these steps when adjusting your control (refer to Figure A).

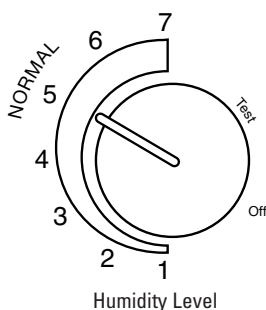
1. Turn the dial setting knob to "5," which is within the normal range. During the next 24-48 hours it may be necessary to adjust the dial for more or less humidity, depending on your personal comfort and home's requirements. Refer to the "Operation Guide" (Table 1).
2. During the coldest portion of the first heating season, minor adjustments may be necessary. This is dependent upon your individual home construction, refer to the "Operation Guide" (Table 1).

**TABLE 1 – Operation Guide**

Condition	Solution
Condensation on windows	Reduce the setting on the control dial by 1 increment.
Lack of humidity	Increase the setting on the control dial by 1 increment.
Humidifier does not operate	Turn dial to "Test." Make certain furnace and blower are operating. If unit still doesn't operate, consult your air conditioning and heating dealer.
Humidifier won't shut off	Turn dial to "Off." If unit continues to operate, consult your air conditioning and heating dealer.
Test mode	System operation is checked by setting the knob to "Test." Make certain furnace and blower are operating. Humidifier will operate for one minute.

The relative humidity in your home will now be accurately controlled to meet your needs and should not need further adjustment during future heating seasons. Make note of the dial setting in the event you temporarily move the knob when performing annual maintenance of the Humidifier.

**FIGURE A**



Your Automatic Humidifier, is a high precision system that will accurately maintain the relative humidity in your home. For every 1°F change in outdoor temperature, the control will automatically adjust the indoor relative humidity (RH) by 1/2%. If you would like to determine the RH in your home, follow these steps:

1. Determine the outdoor temperature.
2. Activate the furnace blower by setting your thermostat fan switch to the "On" position, or setting your thermostat to a higher temperature.
3. Turn the control dial setting to the "Off" position. Then, slowly turn the dial clockwise until you hear the solenoid valve "click on." Next, slowly turn the dial counter clockwise until you hear the solenoid valve "click off." At this point, make note of the dial setting.
4. Locate your dial setting on Table 2. Follow the dial setting to the right until it intersects with the current outdoor temperature. This is the relative humidity in your home under existing conditions.
5. Return the thermostat and the Humidifier Control to their original settings.

**TABLE 2 – % Relative Humidity Guide**

		Outdoor Temperature (°F)					
		-10	0	10	20	30	40
Dial Setting	1	10	10	10	15	20	25
	2	10	10	15	20	25	30
	3	10	15	20	25	30	35
	4	15	20	25	30	35	40
	5	20	25	30	35	40	45
	6	25	30	35	40	45	45
	7	30	35	40	45	45	45

As an example, if the outdoor temperature is 20°F, and, following step 3, the humidifier turns off at "5" on the dial range, then the RH in your home is 35%.

The Automatic Humidifier will accurately control the humidity in your home to a maximum of 45% RH and a minimum of 10% RH. The values of outdoor temperature and dial settings may fall in between or outside of the listed values in Table 2. In these cases, you can only approximate your home's actual indoor RH.

To check the humidifier’s operation, note the current setting and set the Automatic Humidifier Control to the test mode when the furnace blower motor is operating. Water will flow into the humidifier for 1 minute and then it will turn off. This insures the unit is operating properly. Do not leave the control in the test mode as it will not operate. Reset the control to it’s original setting.

**Model HUMD200A with Manual Mode:  
(Automatic Humidifier Control – see pg 3)**

Your new Humidifier is controlled by a humidifier control installed either in the living area (typically near the thermostat) or in the cold air return. It is important to anticipate a drop in outdoor temperature and reduce the setting accordingly to avoid excessive condensation. For example, with an outdoor temperature of 20°F the correct setting will be 35% relative humidity. If the temperature is expected to fall to 0°F that evening, then merely reduce the setting to 25% several hours prior to the temperature change.

The recommended settings on the humidifier control are based on years of research (see Table 3) and experience as to what is best for the average home. These settings represent a compromise between RH levels that would be most desirable for comfort reasons and humidity levels that are suitable for protection of your home. For example, a wintertime indoor RH of 50% may be considered ideal by some, but unfortunately, it probably would result in damage to your home. Observance of the recommended RH levels on your humidistat, therefore, is an important safeguard. Condensation of water on inside windows in the form of fogging or frost is usually an indication of too high relative humidities. This same condensation can take place in other areas in your home with the possibility of damage resulting.

**TABLE 3 – Outdoor-Indoor Relative Humidity**

<b>Outside Temperature</b>	<b>Recommended RH</b>
+40°F	45%
+30°F	40%
+20°F	35%
+10°F	30%
0°F	25%
-10°F	20%
-20°F	15%

The humidistat is a precision instrument that can be used to determine the RH accurately in your home during the winter. Turn the dial to the lower setting, then reverse the dial direction slowly until a “click” is heard. At this point, read the RH on the dial. This will be very close to the actual RH in your home.

To check the humidifier operation, set the humidifier control above the click point, make sure that the water saddle valve is open and that there is electricity to the unit. Generally, the furnace and blower motor must be operating for the humidifier control to function. After the humidifier has operated for several minutes and water is entering the unit and coming out at the drain, reduce the humidifier control setting below the click point and the unit should automatically shut off. Now set the humidistat dial at the recommended inside relative humidity, depending on the outside temperature. Follow the suggested settings prior to a drop in the outside temperature.

### **Additional Information**

Be sure to keep fireplace dampers closed when not in use. They provide an excellent escape route for heat, as well as humidity. Humidity is lost at an even faster rate than heat because water vapor tends to seek its own level and your humidifier would not be able to replace it even when running at full capacity.

On occasion, indoor moisture producing activities such as clothes drying, cooking, showers, etc., may raise the relative humidity level higher than it should be, even though the Humidifier is not operating. Telltale indications, again, are condensation or frost on cold surfaces such as windows, doors, walls, etc. If such condensation persists for several hours, your home should be ventilated to dissipate the potentially damaging excess moisture.

## **III . EFFECT OF WATER CHARACTERISTICS**

Your humidifier will operate effectively using either hot, cold, hard or mechanically softened water. Whether to use available tap water, even though it may be quite hard, or chemically softened water, is a common concern to homeowners when installing a humidifier. Because of the humidifier's design, most of these solids are effectively controlled by flushing them down the drain.

Water used in homes contains varying amounts of minerals. The residue remaining as a result of hard water evaporation is primarily calcium and magnesium components and is usually quite hard, scaly, and dense.

Residue from softened water tends to be soft and fluffy and has a greater volume than hard water scale. The service life of a Humidifier Pad may be extended by using hard water, but in either case, the Humidifier Pad should be changed once a year. This is why proper maintenance is important and necessary. Service hot water 140°F maximum, is recommended with drain type units for increasing capacity.



## IV. ANNUAL MAINTENANCE

**For best performance, we recommend that you replace the Humidifier Pad in your Humidifier annually.**

To obtain a replacement:

- Call the installer of your humidifier.  
This information is often found on your equipment.
- Call your heating and air conditioning dealer.
- Look in the Yellow Pages under Humidifying Apparatus or Heating & Air Conditioner Contractors.
- If none of the above are successful and you still need information, please feel free to write us or send an email to our website.

## V. ANNUAL SUMMER SHUTDOWN

For Models \*HUMD200A, \*HUMD300A close the bypass damper .

### **AUTOMATIC HUMIDIFIER CONTROL:**

Humidifiers controlled by the Automatic Humidifier Control require no control adjustment. Shut off the water supply to the humidifier by closing the saddle valve.

### **MANUAL HUMIDIFIER CONTROL:**

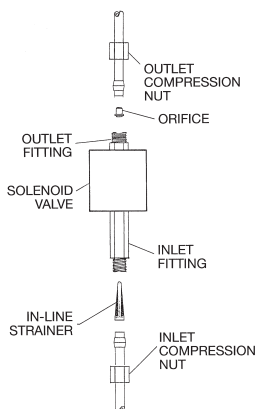
For humidifiers controlled by a Manual Humidifier Control, simply turn the control to the "Off" position. Shut off the water supply to the humidifier by closing the saddle valve.

## VI. PERIODIC PREVENTIVE MAINTENANCE

NOTE: Periodic inspection and preventive maintenance of your total heating system is important for efficient and safe operation. Your heating dealer should perform humidifier service at the same time.

All models are equipped with an in-line water strainer and orifice as shown below. These parts should be inspected and cleaned periodically to assure continued proper unit performance.

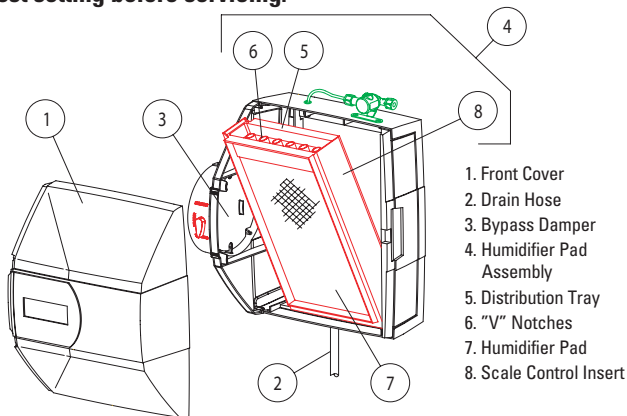
### INSPECTION AND SERVICE INSTRUCTIONS



1. Disconnect electrical power to the furnace and shut off water supply.
2. Disconnect the water line at the inlet compression nut.
3. Remove the in-line strainer from inside the inlet fitting by using a small nail or wire.
4. Flush the in-line strainer clean or replace with a new strainer, Service Part No. SRA00859.
5. Replace the in-line strainer and reconnect the inlet water line.  
**(Double Wrench To Prevent Leaking.)**
6. Disconnect the water line at the outlet compression nut.
7. Remove the orifice from the copper or plastic tube and make sure this small opening is unplugged.
8. Replace the orifice and reconnect the outlet water line.  
**(Double Wrench To Prevent Leaking.)**
9. Turn on water supply @ Saddle Valve and reconnect electrical power to the furnace.

# MAINTENANCE INSTRUCTIONS for HUMIDIFIER MODELS \*HUMD200A, \*HUMD300A

**▲ CAUTION!** Sudden operation may cause personal injury or property damage. Turn humidistat or humidifier control to "OFF" or lowest setting before servicing.



1. Note humidifier control setting and turn dial to the "OFF" position.
2. Turn off water supply.
3. At the side of the unit opposite the airflow duct pull front cover (1) off holding with both hands and set aside.
4. Pull out the humidifier pad assembly (4) by grasping at top and tipping out.
5. Remove the plastic distribution tray (5) from the humidifier pad assembly by unsnapping the plastic holding strips from the tabs at the end of the tray. Lightly scrape out any mineral deposits and clean the "V" notches (6), but **do not scrape off the granular coating from the bottom**. This textured surface helps ensure even water flow for maximum performance. If coating is removed replace distribution tray.
6. Slide the humidifier pad (7) out from the plastic Scale Control Insert (8). Clean the insert frame by twisting and flexing it to loosen the calcium deposits, or use a putty knife. Replace the humidifier Pad annually with a #BAYPAD01A1010A humidifier pad for Model HUMD200A and #BAYPAD02A1310A humidifier pad for Model HUMD300A. Slide the pad back into the insert frame with the colored spot up and snap the distributor tray back into place.
7. Re-install the humidifier pad assembly into the unit by fitting its drain into the round receptacle at the base of the unit. Push the assembly in at the top against the retaining ribs that will hold it in place. Push the end of the feed tube back firmly into the nozzle and replace the front cover.
8. Remove the drain hose (2) from the bottom of the unit and bend and flex it to loosen the internal mineral deposits. Then flush it with water under pressure and slip it back onto the black drain fitting.
9. Turn on water supply @ saddle valve.
10. Check system operation:  
Manual Humidifier Control: Turn up humidifier control to highest setting and make sure the furnace and blower are operating. Humidifier will operate if RH is less than 50%.  
Automatic Humidifier Control: Check system operation by setting the knob to "Test." With furnace and blower operating humidifier will operate for one minute.
11. Set humidifier or control to its original position.

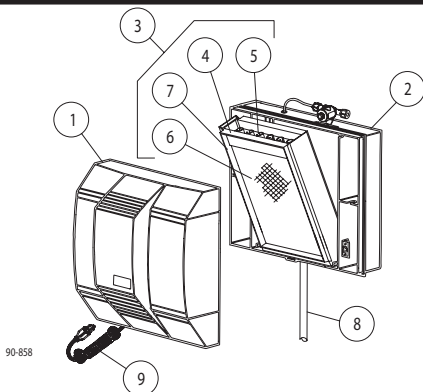
**\*HUMD200A, \*HUMD300A**  
\*MAY BE "A" OR "T"

# MAINTENANCE INSTRUCTIONS for HUMIDIFIER MODEL \*HUMD500A

**▲ WARNING** 120 volts may cause injury from electrical shock.  
Disconnect power and shut off water supply before servicing.

**▲ CAUTION** Sudden operation may cause personal injury or property damage. Turn humidistat or Humidifier Control to "OFF" or lowest setting before servicing.

1. Humidifier Cover Assembly
2. Base Assembly
3. Humidifier Pad Assembly
4. Distribution Tray
5. "V" Notches
6. Humidifier Pad
7. Scale Control Insert
8. Drain Hose
9. Power Cord



1. Note Humidifier Control setting and turn dial to the "OFF" position.
2. Disconnect electrical power and turn off water supply.
3. Unlatch humidifier cover assembly (1) from base assembly (2) at the bottom of the cover, lift, and set aside.
4. Pull out the humidifier pad assembly (3) by grasping at the top and tipping out.
5. Remove the distribution tray (4) by unsnapping the plastic holding strips from the tabs at the end of the distribution tray. Lightly scrape out any mineral deposits and clean the "V" notches (5) but **do not scrape off the granular coating from the bottom**. If coating is removed replace distribution tray. This textured surface helps ensure even water flow for maximum performance.
6. Slide the humidifier pad (6) out from the plastic scale control insert (7). Clean the insert frame by twisting and flexing it to loosen the mineral deposits or use a putty knife. Replace humidifier pad annually with a #BAYPAD02A1310A humidifier pad. Slide the humidifier pad back into the scale control insert with the colored spot up and snap the distribution tray (4) back into place.
7. Re-install the humidifier pad assembly (3) into the base assembly (2). Push the assembly (3) in at the top between the retaining ribs that hold the assembly in place in a vertical position.
8. Remove the drain hose (8) from the bottom of the unit. Bend and flex it to loosen the internal mineral deposits. Then flush it with water under pressure and slip it back onto the drain fitting.
9. Reinstall cover assembly (1) by hooking at the top of the base assembly (2) and latching at the bottom.
10. Reconnect electrical power (9) and turn on the water supply @ saddle valve.
11. Check system operation:  
Manual Humidifier Control: Turn up humidifier control to highest setting and make sure the furnace and blower are operating. Humidifier will operate if RH is less than 50%.  
Automatic Humidifier Control: Check system operation by setting the knob to "Test." With furnace and blower operating humidifier will operate for one minute.
12. Set Humidifier Control to its original position.

## LIMITED WARRANTY HUMIDIFIER

### \*HUMD0200A, 300A, 500A

(First letter may be preceded by an "A" or "T")  
(Parts Only)

This limited warranty is extended by American Standard Inc., to the original purchaser and to any succeeding owner of the real property to which the humidifier is originally affixed, and applies to products purchased and retained for use within the U.S.A. and Canada.

If any part of your humidifier (with the exception of the humidifier pad and the inline water strainer) fails because of a manufacturing defect within five years from the date of the original purchase, Warrantor will furnish the required replacement part. Any local transportation, related service labor, mechanical filters and diagnosis calls are not included.

This limited warranty does not cover failure of your humidifier if it is damaged while in your possession, damage caused by unreasonable use of the humidifier and/or damage from failure to properly maintain the humidifier as set forth in the Use and Care manual (see Proper Maintenance section).

THE LIMITED WARRANTY AND LIABILITY SET FORTH HEREIN ARE IN LIEU OF ALL OTHER WARRANTIES AND LIABILITIES, WHETHER IN CONTRACT OR IN NEGLIGENCE, EXPRESS OR IMPLIED, IN LAW OR IN FACT, INCLUDING IMPLIED WARRANTIES OF MERCHANTABILITY AND FITNESS FOR PARTICULAR USE, AND IN NO EVENT SHALL WARRANTOR BE LIABLE FOR ANY INCIDENTAL OR CONSEQUENTIAL DAMAGES.

Some states do not allow limitations on how long an implied limited warranty lasts or do not allow the exclusion or limitation of incidental or consequential damages, so the above limitation or exclusion may not apply to you. This limited warranty gives you specific legal rights, and you may also have other rights which vary from state to state.

Parts will be provided by our factory organization through a service organization in your area. If you would like further help or information concerning this limited warranty, contact:

American Standard Inc.

GW-639-1804

6200 Troup Highway

Tyler, TX 75711-9010

Attention: Manager, After Sales Support





